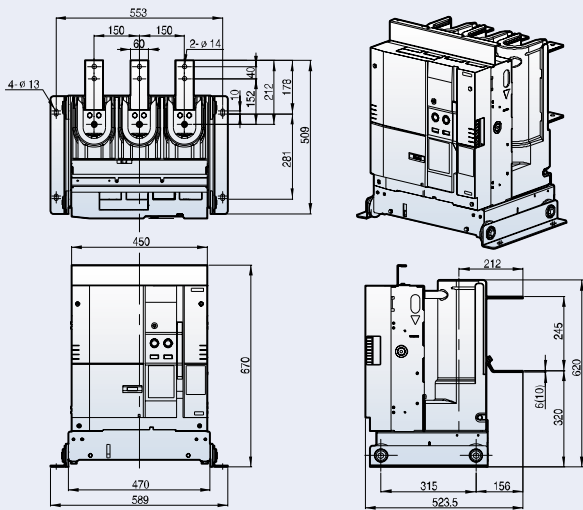


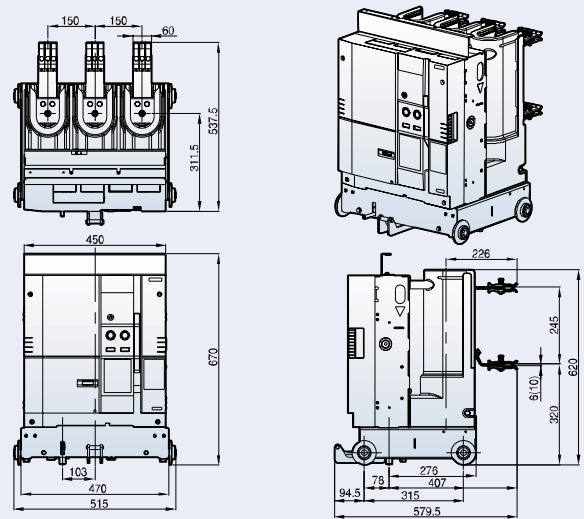
Dimensions

■ Breaker

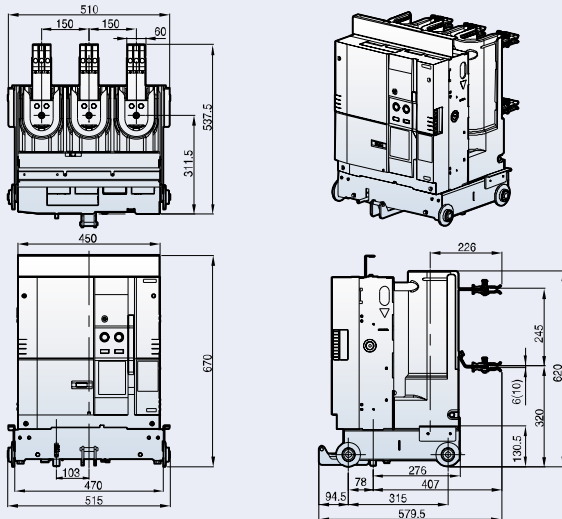
• 7.2kV, 20/25kA, 630/1250A, P type



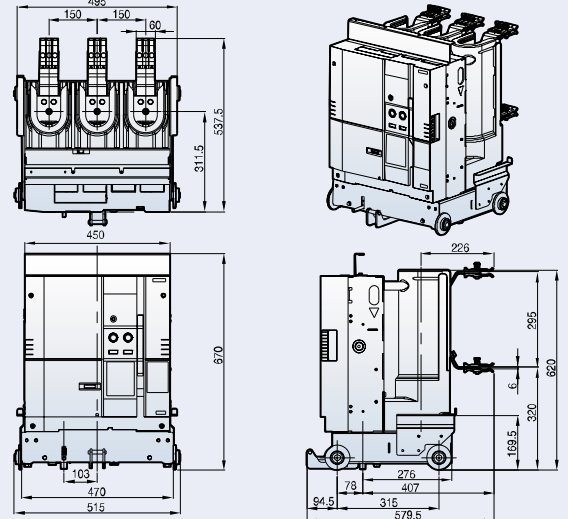
• 7.2kV, 20/25kA, 630/1250A, E type



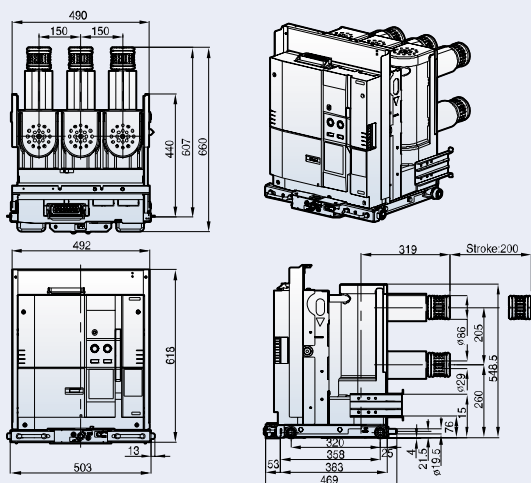
• 7.2kV, 20/25kA, 630/1250A, F type



• 7.2kV, 20/25kA, 630/1250A, G type



• 7.2kV, 20/25kA, 630/1250A, H type



• 7.2kV, 20/25kA, 2000A, P type

